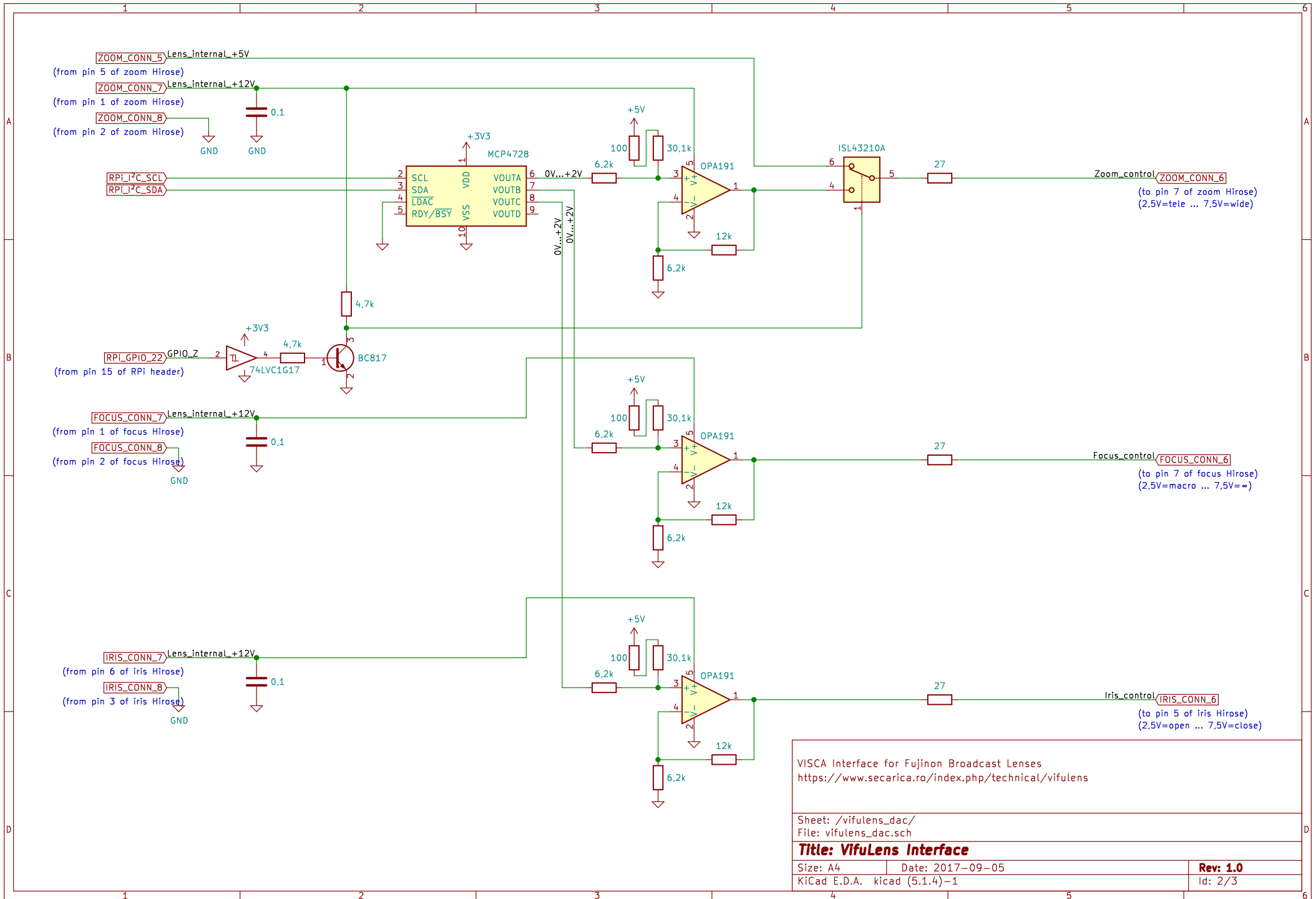


Sheet: vifulens\_dac  
File: vifulens\_dac.sch

Sheet: vifulens\_adc  
File: vifulens\_adc.sch

VISCA Interface for Fujinon Broadcast Lenses <a href="https://www.secarica.ro/index.php/technical/vifulens">https://www.secarica.ro/index.php/technical/vifulens</a>	
Sheet: / File: vifulens.sch	
<b>Title: VifuLens Interface</b>	
Size: A4	Date: 2017-09-05
KiCad E.D.A. kicad (5.1.4)-1	Rev: 1.0 Id: 1/3



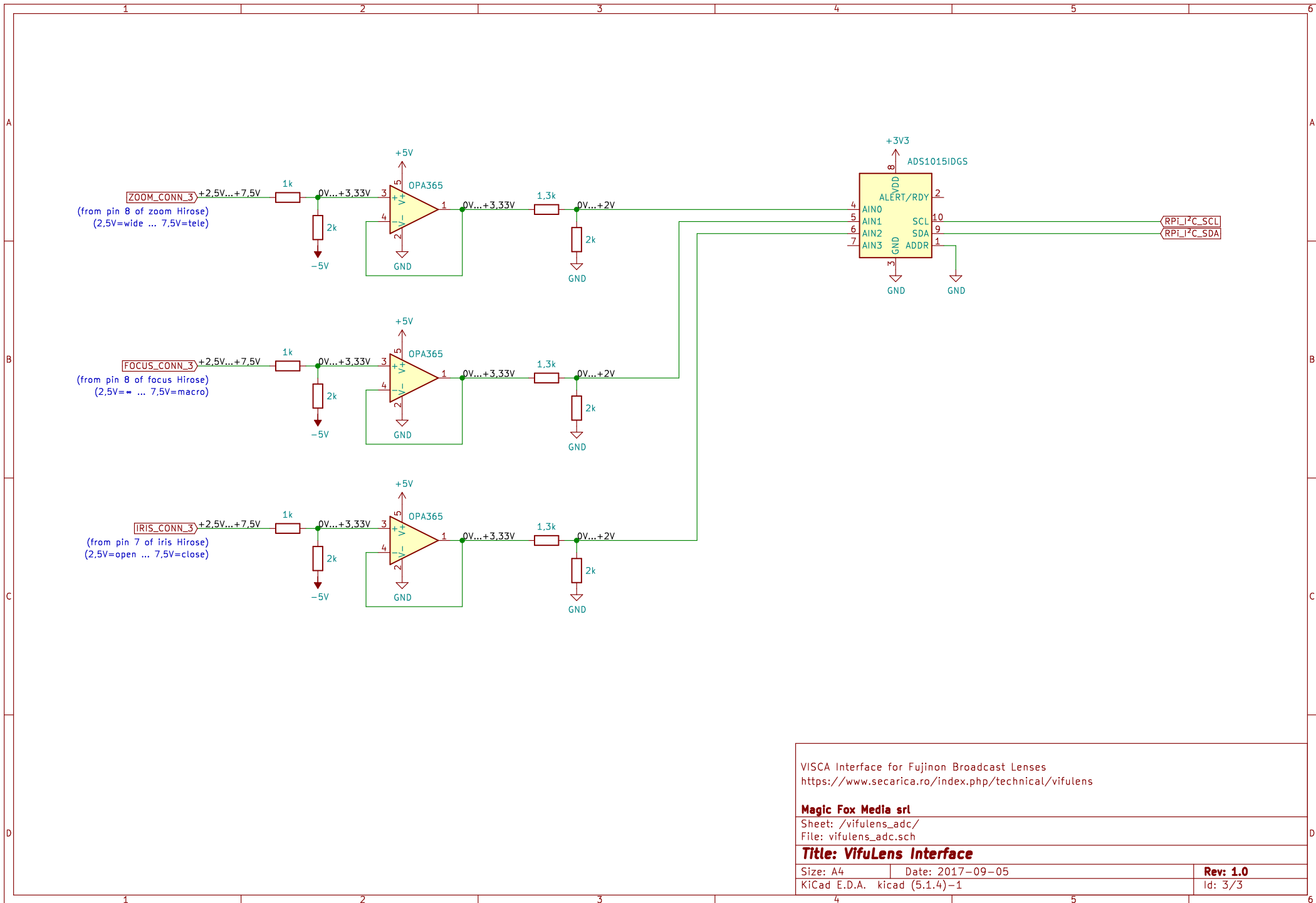
VISCA Interface for Fujinon Broadcast Lenses  
<https://www.secarica.ro/index.php/technical/vifulens>

Sheet: /vifulens\_dac/  
 File: vifulens\_dac.sch

**Title: VifuLens Interface**

Size: A4 Date: 2017-09-05  
 KiCad E.D.A. kicad (5.1.4)-1

**Rev: 1.0**  
 Id: 2/3



VISCA Interface for Fujinon Broadcast Lenses  
<https://www.secarica.ro/index.php/technical/vifulens>

**Magic Fox Media srl**  
 Sheet: /vifulens\_adc/  
 File: vifulens\_adc.sch

**Title: VifuLens Interface**

Size: A4	Date: 2017-09-05	<b>Rev: 1.0</b>
KiCad E.D.A. kicad (5.1.4)-1		Id: 3/3