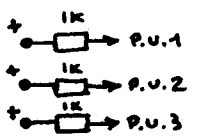
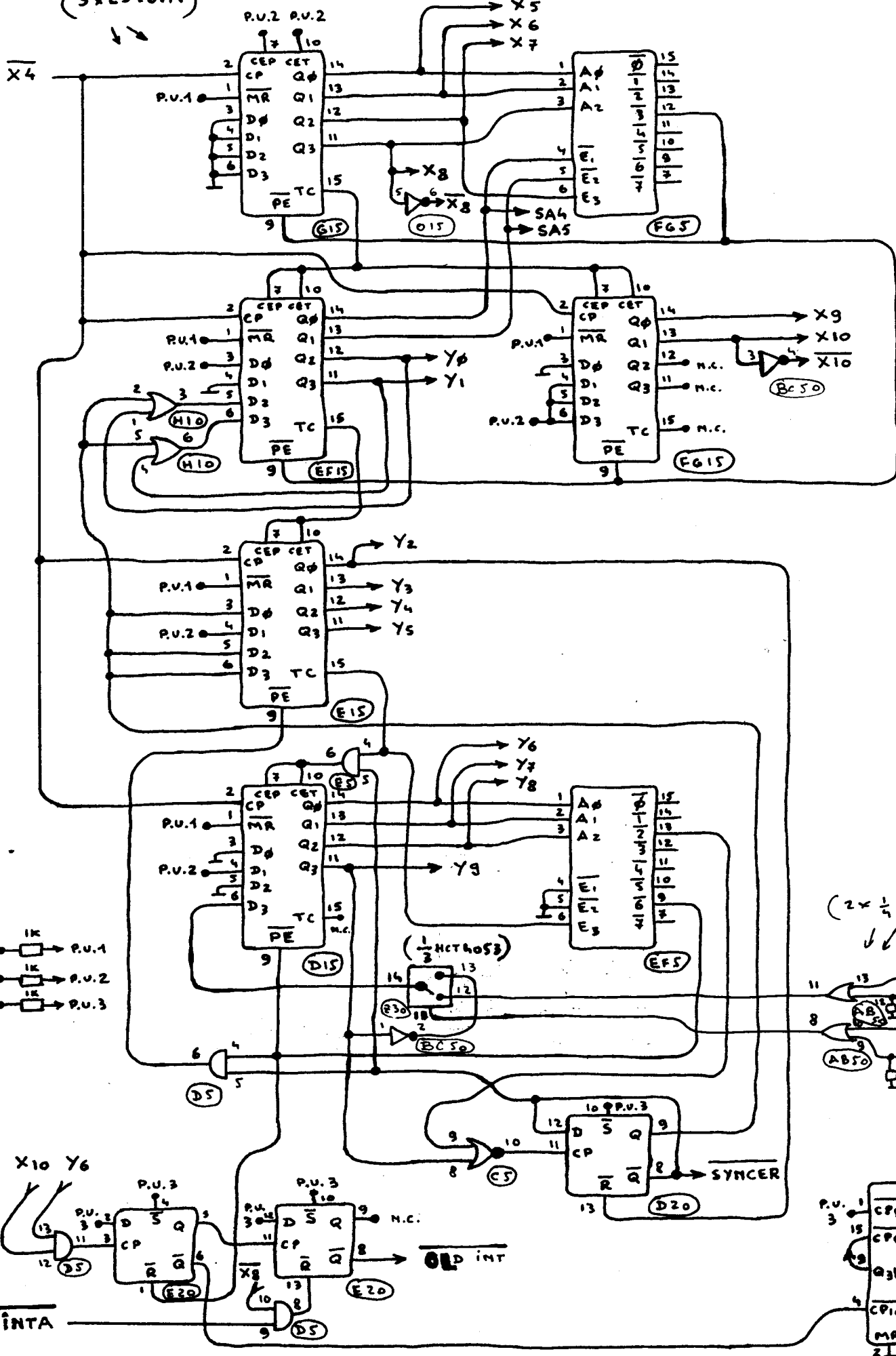
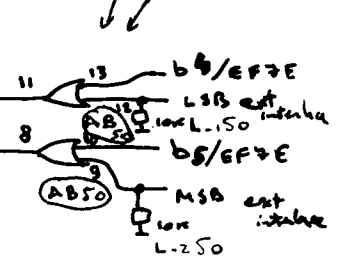


(5xLS161A)

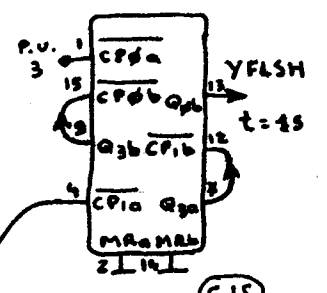
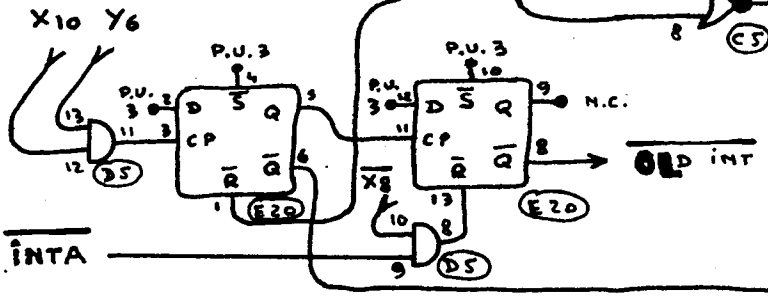
5



(2x 1/4 NCT 32)



(LS390)



(C15)