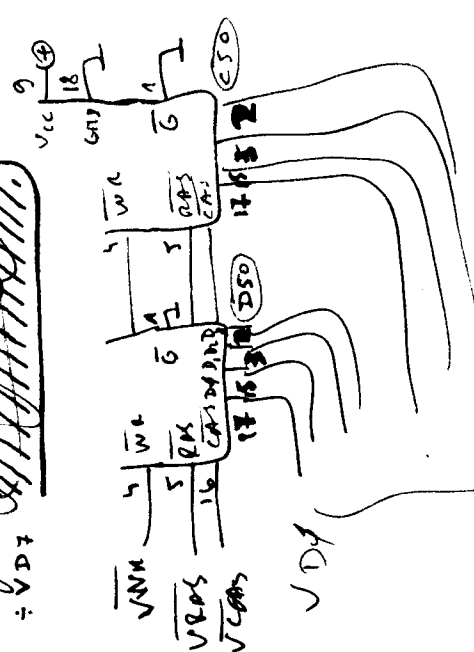
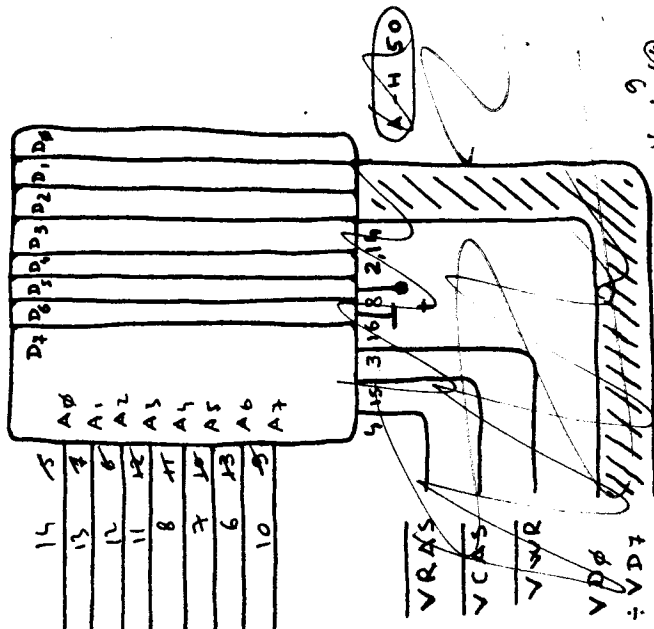
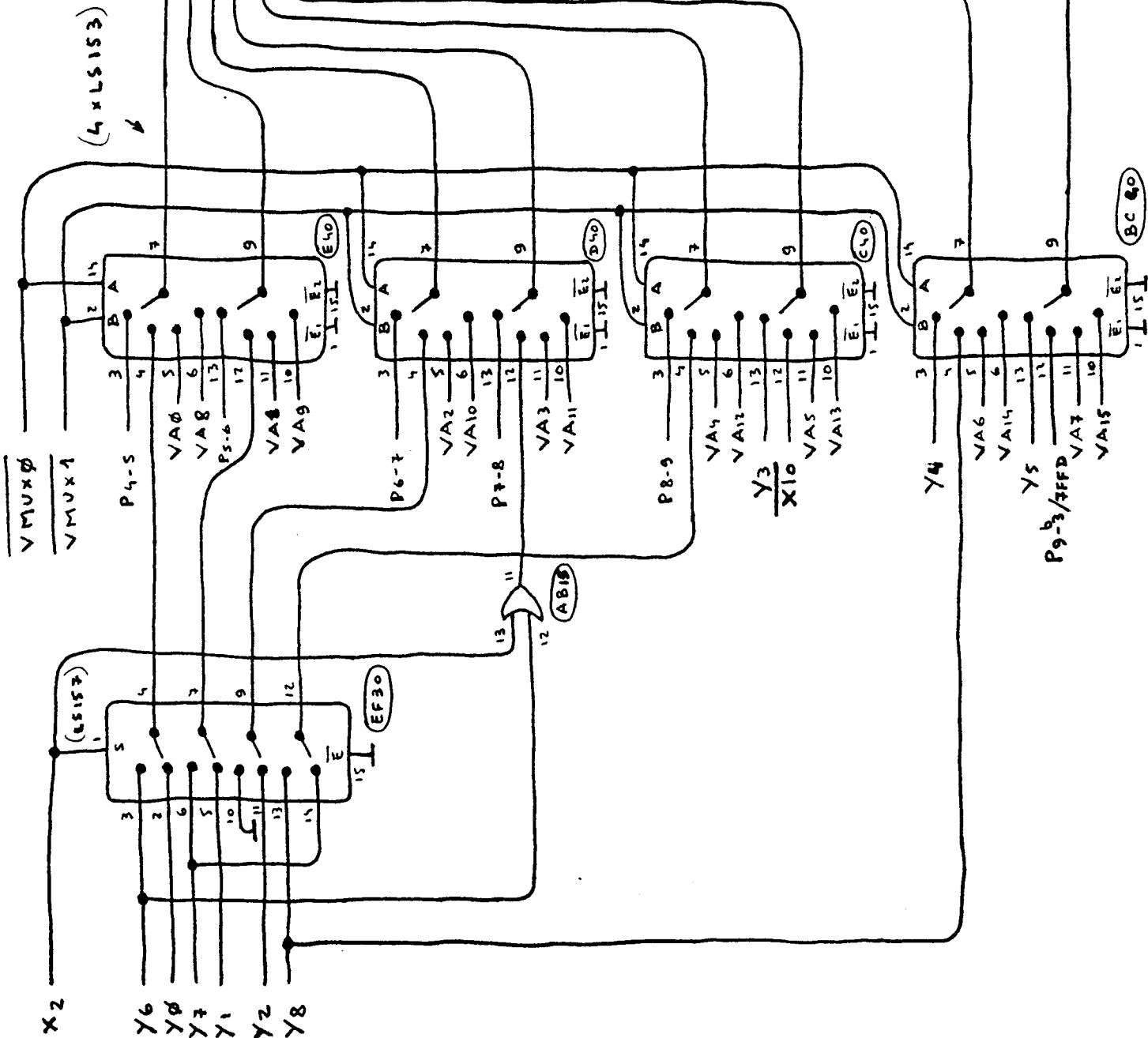


68 x 4165 (2+2)  
2 x D41464C-80



\*VDD10-VDD9 have  
1k positive resistor  
each.